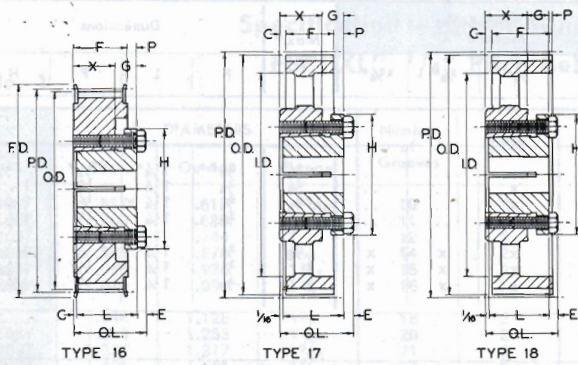
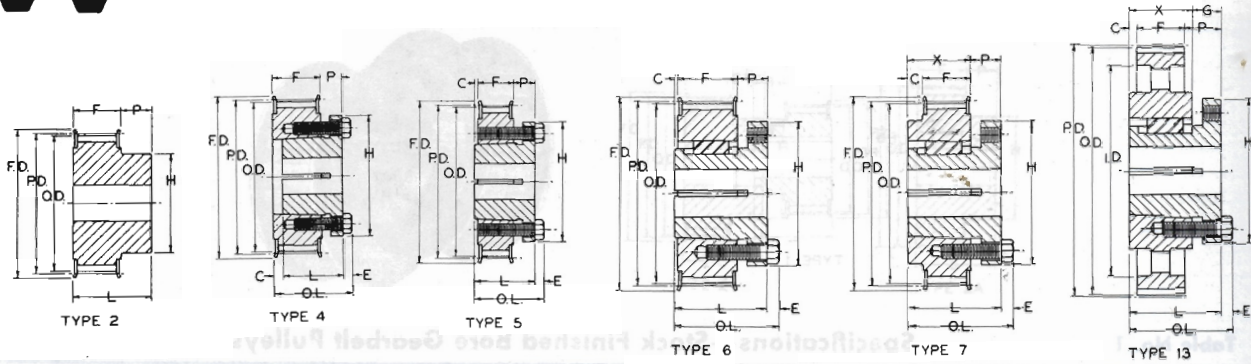


# Browning Gearbelt Pulleys



### Bore Range

Table No. 1

Bushing	Bore Range
G	3/8" to 1"
H	3/8 to 1 1/2
P1	1/2 to 1 3/4

### Standard Keyseats

Table No. 2

Bore Range	Keyseat
3/8" & 7/16"	None
1/2" & 9/16"	1/8" x 1/16"
5/8" to 3/4"	3/16 x 3/32
15/16" to 1 1/4"	1/4 x 3/8
1 1/16" & 1 3/8"	3/16 x 3/16
1 1/2" to 1 3/4"	3/8 x 3/16

1 3/8" Bore Bushings also available with 3/8" x 3/16" Keyseat.

Table No. 3 Specifications—Stock Minimum Bore Gearbelt Pulleys

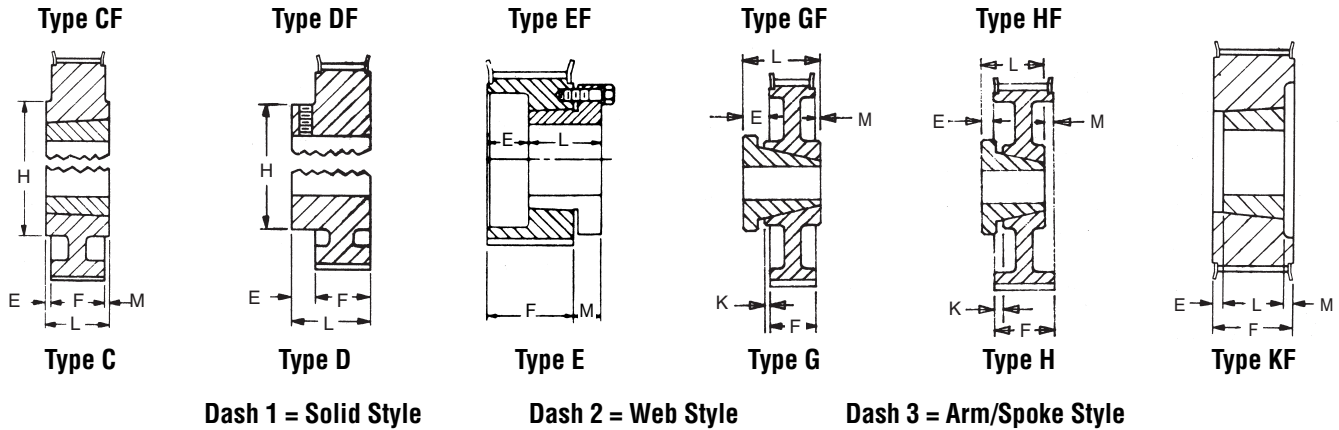
Part Number	Diameters			Number of Grooves	Type	Bore		Dimensions				Wt. lbs.
	Pitch	Outside	Flange			Stock	Max.*	F	L	P	H	
<b>For L050 Belts, 3/8" Pitch, 1/2" Wide</b>												
18LB050	2.149"	2.119"	2 7/16"	18	2	1/2"	7/8"	3/4"	1 1/4"	1/2"	1 9/16"	.8
19LB050	2.268	2.238	2 5/8"	19	2	1/2"	7/8"	3/4"	1 1/4"	1/2"	1 11/16"	.9
20LB050	2.387	2.357	2 5/8"	20	2	1/2"	7/8"	3/4"	1 1/4"	1/2"	1 11/16"	1.0
21LB050	2.507	2.477	2 7/8"	21	2	1/2"	1 1/4"	3/4"	1 1/4"	1/2"	2	1.3
22LB050	2.626	2.596	2 7/8"	22	2	1/2"	1 1/4"	3/4"	1 1/4"	1/2"	2	1.4
24LB050	2.865	2.835	3 1/8"	24	2	1/2"	1 3/8"	3/4"	1 1/4"	1/2"	2 1/4"	1.8
26LB050	3.104	3.074	3 3/8"	26	2	1/2"	1 3/8"	3/4"	1 1/4"	1/2"	2 1/4"	2.1
28LB050	3.342	3.312	3 5/8"	28	2	1/2"	1 3/8"	3/4"	1 1/4"	1/2"	2 1/4"	2.3
30LB050	3.581	3.551	3 13/16"	30	2	1/2"	1 3/8"	3/4"	1 1/4"	1/2"	2 1/4"	2.4
32LB050	3.820	3.790	4 1/16"	32	2	1/2"	1 5/8"	3/4"	1 1/4"	1/2"	2 5/8"	3.0
36LB050	4.297	4.267	4 1 1/16"	36	2	1/2"	2 1/16"	3/4"	1 3/4"	1/2"	3 1/2"	3.8
40LB050	4.775	4.745	5	40	2	1/2"	2 3/8"	3/4"	1 3/4"	1/2"	3 5/8"	4.6
<b>For L075 Belts, 3/8" Pitch, 3/4" Wide</b>												
18LB075	2.149"	2.119"	2 7/16"	18	2	5/8"	7/8"	1"	1 1/2"	1/2"	1 9/16"	1.0
19LB075	2.268	2.238	2 5/8"	19	2	5/8"	7/8"	1	1 1/2"	1/2"	1 11/16"	1.3
20LB075	2.387	2.357	2 5/8"	20	2	5/8"	7/8"	1	1 1/2"	1/2"	1 11/16"	1.3
21LB075	2.507	2.477	2 7/8"	21	2	5/8"	1 1/4"	1	1 1/2"	1/2"	2	1.6
22LB075	2.626	2.596	2 7/8"	22	2	5/8"	1 1/4"	1	1 1/2"	1/2"	2	1.8
24LB075	2.865	2.835	3 1/8"	24	2	5/8"	1 3/8"	1	1 1/2"	1/2"	2 1/4"	2.1
26LB075	3.104	3.074	3 3/8"	26	2	5/8"	1 3/8"	1	1 1/2"	1/2"	2 1/4"	2.4
28LB075	3.342	3.312	3 5/8"	28	2	5/8"	1 3/8"	1	1 1/2"	1/2"	2 1/4"	2.9
30LB075	3.581	3.551	3 13/16"	30	2	5/8"	1 3/8"	1	1 1/2"	1/2"	2 1/4"	3.0
32LB075	3.820	3.790	4 1/16"	32	2	5/8"	1 5/8"	1	1 1/2"	1/2"	2 5/8"	3.6
36LB075	4.297	4.267	4 1 1/16"	36	2	5/8"	2 1/16"	1	1 1/2"	1/2"	3 1/2"	4.4
40LB075	4.775	4.745	5	40	2	5/8"	2 3/8"	1	1 1/2"	1/2"	3 5/8"	5.0
<b>For L100 Belts, 3/8" Pitch, 1" Wide</b>												
18LB100	2.149"	2.119"	2 7/16"	18	2	5/8"	7/8"	1 1/4"	1 3/4"	1/2"	1 9/16"	1.2
19LB100	2.268	2.238	2 5/8"	19	2	5/8"	7/8"	1 1/4"	1 3/4"	1/2"	1 11/16"	1.4
20LB100	2.387	2.357	2 5/8"	20	2	5/8"	7/8"	1 1/4"	1 3/4"	1/2"	1 11/16"	1.8
21LB100	2.507	2.477	2 7/8"	21	2	5/8"	1 1/4"	1 1/4"	1 3/4"	1/2"	2	2.0
22LB100	2.626	2.596	2 7/8"	22	2	5/8"	1 1/4"	1 1/4"	1 3/4"	1/2"	2	2.1
24LB100	2.865	2.835	3 1/8"	24	2	5/8"	1 3/8"	1 1/4"	1 3/4"	1/2"	2 1/4"	2.5
26LB100	3.104	3.074	3 3/8"	26	2	5/8"	1 3/8"	1 1/4"	1 3/4"	1/2"	2 7/16"	3.0
28LB100	3.342	3.312	3 5/8"	28	2	5/8"	1 3/8"	1 1/4"	1 3/4"	1/2"	2 1 1/16"	3.6
30LB100	3.581	3.551	3 13/16"	30	2	5/8"	1 7/8"	1 1/4"	1 3/4"	1/2"	2 1 3/16"	4.1
32LB100	3.820	3.790	4 1/16"	32	2	5/8"	2	1 1/4"	1 3/4"	1/2"	3 1/8"	4.8
36LB100	4.297	4.267	4 1 1/16"	36	2	5/8"	2 1/16"	1 1/4"	1 3/4"	1/2"	3 1/2"	5.4
40LB100	4.775	4.745	5	40	2	5/8"	2 3/16"	1 1/4"	1 3/4"	1/2"	3 5/8"	6.0

Browning Stock Minimum Bore Pulleys for "L" Gearbelts are furnished without keyseats or setscrews. They can be bored to size and furnished with keyseats and setscrews at a reasonable extra price.

\*Maximum Bores shown will accommodate Standard Keyseats and Setscrew over Keyseat. Slightly Larger Bores are possible with No. Ks., Shallow Ks. or Setscrew at angle to Ks.







### L050 For Belts 1/2" Wide (3/8" Pitch) Taper Bushed Type

$$F = \frac{3}{4}$$

No. Teeth	Part Number	Pitch Diam.	Max FL O.D.	Type	Bush	Bore Range	Dimensions				Wt. Less Bush.
							E	H	L	M	
18	TB18L050	2.149	2 <sup>25</sup> / <sub>64</sub>	CF-1	1008	1/2-1	1/8	1 1/8	3/8	—	0.45
20	TB20L050	2.387	2 2/8	CF-1	1008	1/2-1	1/8	1 11/16	3/8	—	0.68
22	TB22L050	2.626	2 2/8	CF-1	1008	1/2-1	1/8	2	3/8	—	0.90
24	TB24L050	2.865	3 1/64	CF-1	1210	1/2-1 1/4	1/4	2 1/4	1	—	1.00
26	TB26L050	3.104	3 11/32	CF-1	1210	1/2-1 1/4	1/4	2 1/2	1	—	1.20
28	TB28L050	3.342	3 3/64	CF-1	1610	1/2-1 1/2	1/4	2 3/4	1	—	1.40
30	TB30L050	3.581	3 5/64	CF-1	1610	1/2-1 1/2	1/4	2 7/8	1	—	1.50
32	TB32L050	3.820	4 1/16	CF-1	1610	1/2-1 1/2	1/4	3 1/16	1	—	1.90
40	TB40L050	4.775	5 1/64	CF-1	2012	1/2-2	1/2	3 11/16	1 1/4	—	2.40
48	TB48L050	5.730	6 1/64	CF-1	2012	1/2-2	1/2	3 13/16	1 1/4	—	3.20
60	TB60L050	7.162	—	C-2	2012	1/2-2	1/4	4 3/8	1 1/4	1/4	4.90

Dimensions in inches. Weight in pounds  
Pulley O.D. = P.D. - .03"

### L075 For Belts 3/4" Wide (3/8" Pitch) Minimum Plain Bore

$$F = 1$$

No. Teeth	Part Number	Pitch Diam.	Max FL O.D.	Type	Bore		Dimensions			Wt.
					Stk. *	Max.	E	H	L	
12	12L075	1.432	1 13/64	DF-1	3/8	1 1/16	1/2	1 1/16	1 1/2	.40
14	14L075	1.671	1 9/64	DF-1	3/8	7/8	1/2	1 1/8	1 1/2	.50
16	16L075	1.910	2 2/32	DF-1	1/2	1 1/8	5/8	1 7/16	1 3/4	.70
18	18L075	2.149	2 25/64	DF-1	1/2	1 1/8	5/8	1 1/8	1 3/4	.90
20	20L075	2.387	2 2/8	DF-1	1/2	1 1/4	5/8	1 11/16	1 3/4	1.5
22	22L075	2.626	2 2/8	DF-1	3/4	1 1/2	3/4	2	1 3/4	1.8
24	24L075	2.865	3 3/64	DF-1	3/4	1 5/8	3/4	2 1/4	1 3/4	2.1
26	26L075	3.104	3 11/32	DF-1	3/4	1 3/4	7/8	2 1/2	1 3/4	2.8
28	28L075	3.342	3 3/64	DF-1	3/4	1 7/8	1	2 3/4	2	3.1
30	30L075	3.581	3 5/64	DF-1	3/4	1 7/8	1	2 3/4	2	3.4
32	32L075	3.820	4 1/16	DF-1	3/4	1 7/8	1	3 1/16	2	3.7

Dimensions in inches. Weight in pounds.

Pulley O.D. = P.D. - .03"

L Pulleys 12 - 16 teeth min. plain bore stocked with 1-SS. If keyway is used, reduce maximum bore by twice keyway depth.

# L

**3/8" Pitch**

## Stock Timing Pulleys

### L075 For Belts 3/4" Wide (3/8" Pitch)

QD Type

F = 1

No. Teeth	Part Number	Pitch Diam.	Max FL O.D.	Type	Bush	Bore Range	Dimensions				Wt. Less Bush.
							E	K	L	M	
18	18L075JA	2.149	2 <sup>29</sup> / <sub>64</sub>	EF-1*	JA	1/2 - 1 1/4	7/16	—	1 1/16	1/2	.50
20	20L075JA	2.387	2 5/8	EF-1*	JA	1/2 - 1 1/4	7/16	—	1 1/16	1/2	.70
22	22L075JA	2.626	2 7/8	EF-1*	JA	1/2 - 1 1/4	7/16	—	1 1/16	1/2	.80
24	24L075SH	2.865	3 1/64	EF-1*	SH	1/2 - 1 11/16	3/8	—	1 5/16	5/16	.80
26	26L075SH	3.104	3 17/32	EF-1*	SH	1/2 - 1 11/16	3/8	—	1 5/16	5/16	1.1
28	28L075SH	3.342	3 7/64	EF-1*	SH	1/2 - 1 11/16	3/8	—	1 5/16	5/16	1.3
30	30L075SDS	3.581	3 9/64	EF-1*	SDS	1/2 - 2	1/4	—	1 3/8	5/8	1.5
32	32L075SDS	3.820	4 1/16	EF-1*	SDS	1/2 - 2	1/4	—	1 3/8	5/8	1.7
36	36L075SDS	4.297	4 17/32	HF-1	SDS	1/2 - 2	3/8	1/4	1 3/8	0	2.3
40	40L075SDS	4.775	5 1/64	HF-1	SDS	1/2 - 2	3/8	1/4	1 3/8	0	3.1
44	44L075SDS	5.252	5 5/64	HF-1	SDS	1/2 - 2	3/8	1/4	1 3/8	0	4.0
48	48L075SDS	5.730	6 1/64	HF-1	SDS	1/2 - 2	3/8	1/4	1 3/8	0	4.6
60	60L075SD	7.162	—	G-3	SD	1/2 - 2	1 1/16	1/8	1 13/16	1/8	4.7
72	72L075SD	8.594	—	G-3	SD	1/2 - 2	1 1/16	1/8	1 13/16	1/8	6.5
84	84L075SD	10.027	—	G-3	SD	1/2 - 2	1 1/16	1/8	1 13/16	1/8	6.3

Dimensions in inches. Weight in pounds

Pulley O.D. = P.D. - .03"

\*Reverse mount only

### L075 For Belts 3/4" Wide (3/8" Pitch)

Taper Bushed Type

No. Teeth	Part Number	Pitch Diam.	Max FL O.D.	Type	Bush	Bore Range	Dimensions				Wt. Less Bush.
							E	H	L	M	
18	TB18L075	2.149	2 <sup>29</sup> / <sub>64</sub>	KF-1	1008	1/2 - 1	1/8	—	7/8	—	.50
20	TB20L075	2.387	2 5/8	KF-1	1008	1/2 - 1	1/8	—	7/8	—	.70
22	TB22L075	2.626	2 7/8	KF-1	1008	1/2 - 1	1/8	—	7/8	—	1.10
24	TB24L075	2.865	3 1/64	KF-1	1210	1/2 - 1 1/4	—	—	1	—	.90
26	TB26L075	3.104	3 17/32	KF-1	1210	1/2 - 1 1/4	—	—	1	—	1.30
28	TB28L075	3.342	3 37/64	KF-1	1610	1/2 - 1 5/8	—	—	1	—	1.30
30	TB30L075	3.581	3 9/64	KF-1	1610	1/2 - 1 5/8	—	—	1	—	1.60
32	TB32L075	3.820	4 1/16	KF-1	1610	1/2 - 1 5/8	—	—	1	—	1.80
40	TB40L075	4.775	5 1/64	CF-1	2012	1/2 - 2	1/4	3 15/16	1 1/4	—	3.60
48	TB48L075	5.730	6 1/64	CF-1	2012	1/2 - 2	1/4	3 15/16	1 1/4	—	5.40
60	TB60L075	7.162	—	C-1	2012	1/2 - 2	1/8	4 3/8	1 1/4	1/8	7.90

Dimensions in inches. Weight in pounds

Pulley O.D. = P.D. - .03"